



AC SERIES



AC-CS-5T

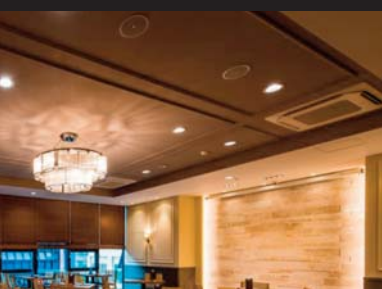
AC-CS-6T

Ceiling Speakers



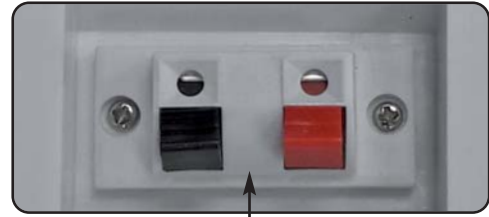
AC-PSA-5T

Sound Projectors



AC SERIES

Coaxial Ceiling Speakers



2-way coaxial speakers.
 Bass-reflex ABS Cabinet
 Power switch button at the front.
 Easy & Fast installation

Specifications	AC-CS-5T	AC-CS-6T
Woofer	5.25 - inches	6.5 - inches
Tweeter	0.5 - inch mylar	0.5 - inch mylar
Frequency Response (Hz)	70 - 20K	50 - 20K
SPL (dB@1W/M)	88	90
8 Ohms Power	20 W	30 W
70V Selectable Powers	2,5 W / 5 W / 10 W / 20 W	3.7 W / 7.5 W / 15 W / 30 W
100V Selectable Powers	5 W / 10 W / 20 W	7.5 W / 15 W / 30 W
Install Diameter (mm)	205	230
Total Diameter (mm)	235	260
Install Depth (mm)	166	178



ACCESS AUDIO - 34080 MONTPELLIER - FRANCE

TEL : +33.(0)4.67.27.43.05 - FAX : +33.(0)4.67.27.85.64 - export@hortusaudio.eu

AC SERIES

100V Full Range Sound Projector 2 x 5" Speakers - Aluminium Cabinet



AC-PSA-5T

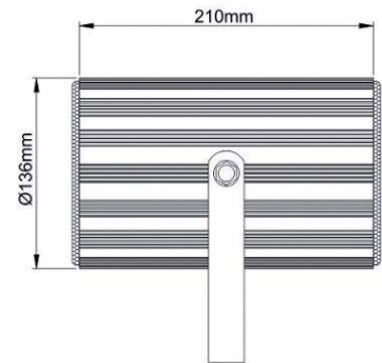
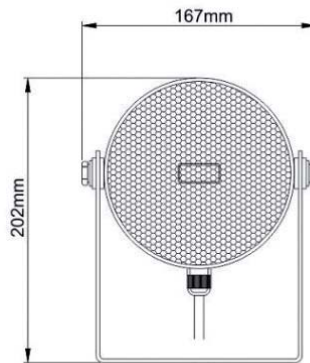


AC-PSA-5T have built-in wide range "dual-cone" double speakers.

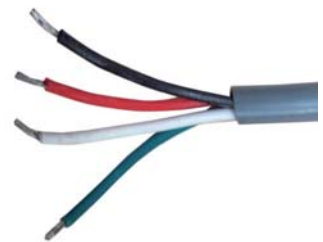
An excellent sound characteristic and the dynamic of these sound projectors gives best results for speech articulation as well as for a very good music performance.

It is possible to rig up a number of these sound projectors, on top of each other, by use of similar phasing of the signal connection. This effects a narrowing of the vertical transmission angle at 1/4/8 kHz, which has the same effect as a column speaker.

Installation is fast and easy with the supplied mounting bracket. The speakers are established in an equal design, scratch resistant and impact resistant plastic material. The form and interior equipment of the sound projectors is configured, so that the favored polar pattern of the sound radiation is assured.



	RED	GREEN	WHITE	BLACK
POWER 10 W / 100 V	2.5 W	5 W	10 W	COMMON



Specifications	AC-PSA-5T
Wide Range "Dual-Cone" Speakers	2 x 5 - inches
Frequency Response (Hz)	130 - 17K
SPL (dB@1W/M)	92
Power options (when connecting wires)	2.5 W or 5 W or 10 W
Dimensions (mm)	Ø136 x 210
Weight	2.40 Kg
Material / Color	Aluminium / White



ACCESS AUDIO - 34080 MONTPELLIER - FRANCE

TEL : +33.(0)4.67.27.43.05 - FAX : +33.(0)4.67.27.85.64 - export@hortusaudio.eu